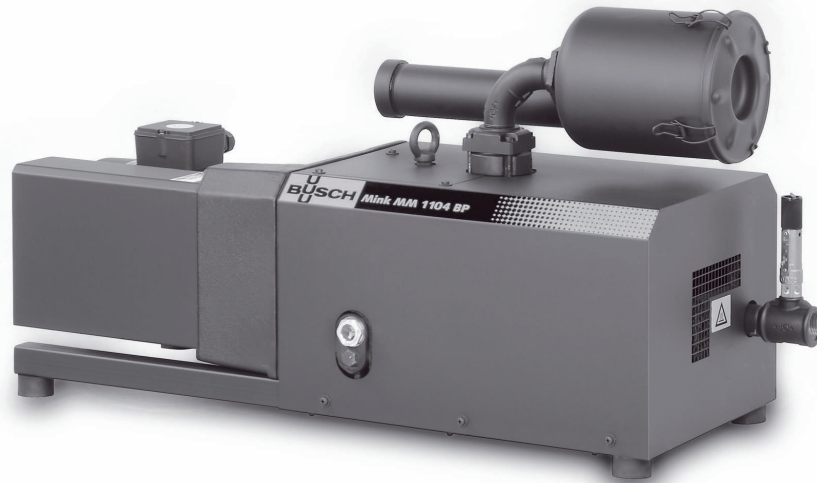


## Mink

MM 1102 – 1142 BP

MM 1202 – 1322 AP



MM 1104 BP

### Description

The Busch Mink MM Series positive displacement pressure pumps feature a compact rotary claw design that is air cooled, dry-running and non-contacting. These features along with quality construction results in a pump that offers extremely high reliability and a long service life.

### Maintenance-Free

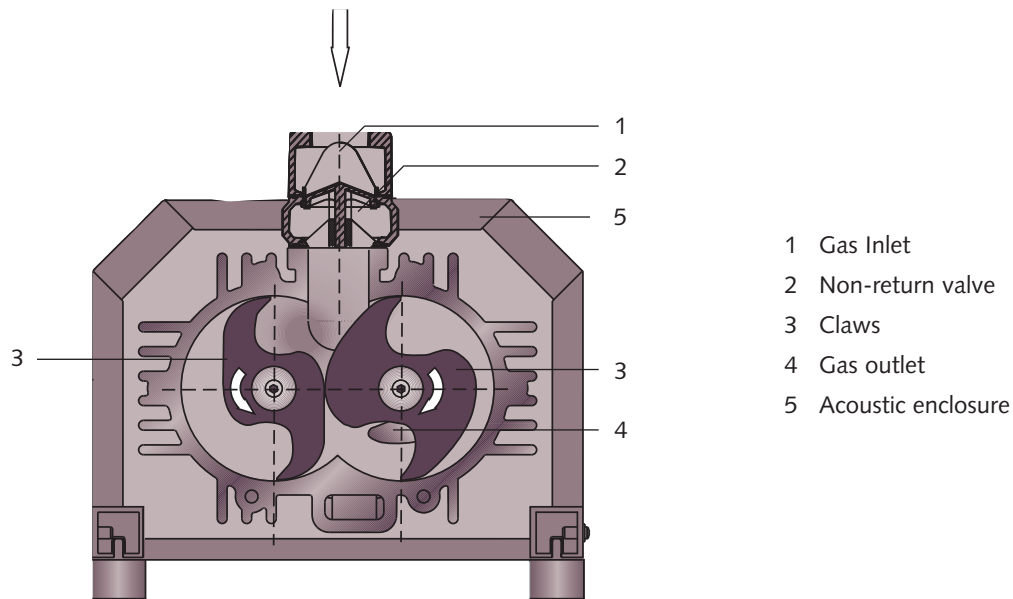
Non-contacting Design – eliminates internal wear and parts to replace  
Air Cooling – no water levels to check and no cooling system to maintain  
Dry-Running – no sealing or lubricating oil is needed in the pumping chamber, so there is minimal maintenance

### Economical

Operating costs are low because of the maintenance-free design and the reduced power requirements made possible by the Mink's high volumetric efficiency along with a non-contacting pumping chamber.

# Dry Rotary Claw Pressure Pumps

## Operating Principle



## Operating Principle

Inside the pump housing, two claw shaped rotors take in air as they rotate in opposite directions. The air is compressed by the rotors, then discharged through a silencer to atmosphere.

The non-return valve incorporated into the inlet flange prevents air from back flowing through the

pump when the pump is turned off. Mink MM dry rotary claw pressure pumps are directly driven by a flanged motor, and the two rotors are synchronized by gears. A wide range of accessories allows optimum adaptation to many applications.

## Applications

Busch Mink MM dry rotary claw pressure pumps are used across a broad range of industries for many different applications and are well suited to applications where dust particles may be present. Mink MM pressure pumps are especially suited to:

Beverage Industry

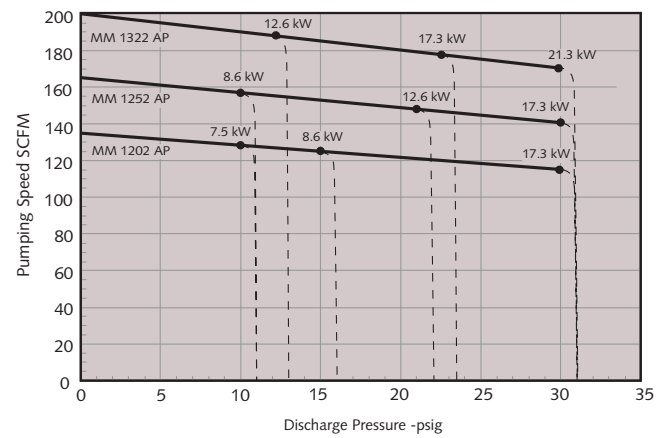
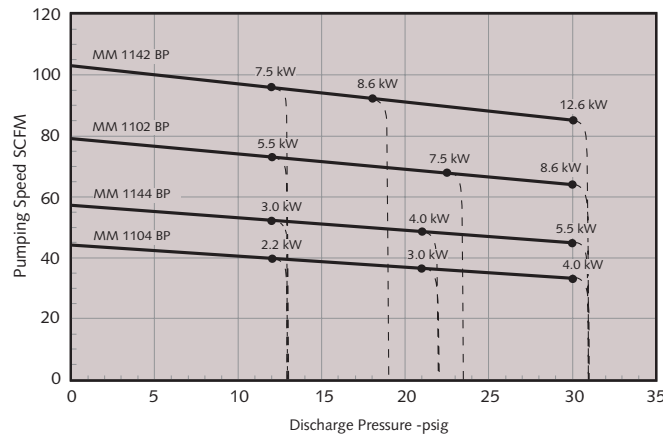
Environmental Technology

Pneumatic Conveying

Printing Industry

## Technical Data

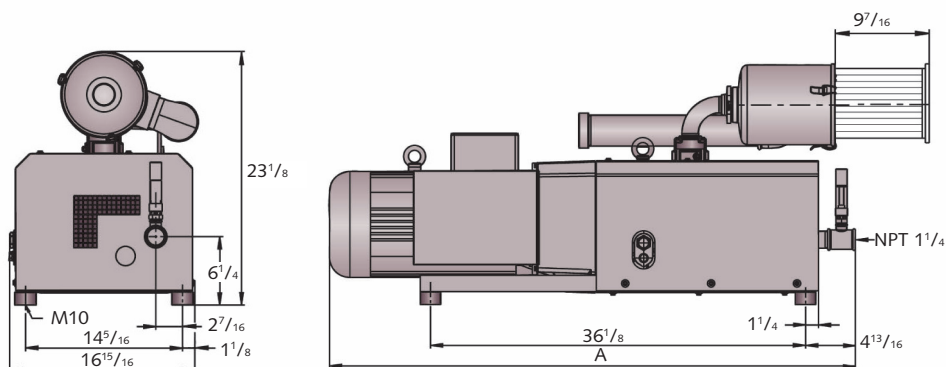
### Pumping Speed vs. Discharge Pressure



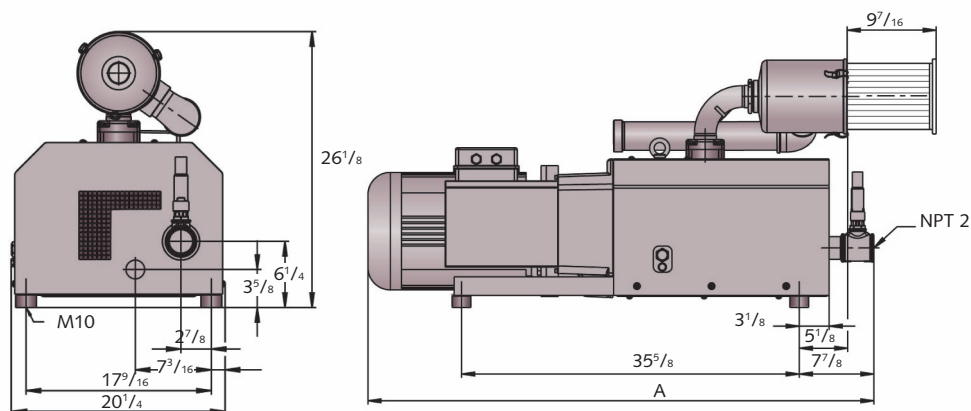
Dashed lines represent pump performance for motor chosen.

Technical Data	Nominal pumping speed SCFM	Motor Size kW (Hp)	Maximum pressure psig	Relief valve cracking pressure psig	Nominal motor speed RPM	Sound rating dBA	Weight approx. Lbs	
Mink MM Model								
	1104 BP	44	2.2 (3.0)	13.0	12	1800	73	381
		44	3.0 (4.0)	22.0	21	1800	73	388
44		4.0 (5.4)	31.0	30	1800	73	396	
1144 BP	57	3.0 (4.0)	13.0	12	1800	73	403	
	57	4.0 (4.4)	22.0	21	1800	73	411	
	57	5.5 (7.5)	31.0	30	1800	73	432	
1102 BP	79	5.5 (7.5)	13.0	12	3600	81	425	
	79	7.5 (10)	23.5	22.5	3600	81	436	
	79	8.6 (11.5)	31.0	30	3600	81	444	
1142 BP	103	7.5 (10)	13.0	12	3600	81	448	
	103	8.6 (11.5)	19.0	18	3600	81	456	
	103	12.6 (17)	31.0	30	3600	81	520	
1202 AP	135	7.5 (10.0)	11.0	10	3600	82	519	
	135	8.6 (11.5)	16.0	15	3600	82	519	
	135	17.3 (23.2)	31.0	30	3600	82	519	
1252 AP	165	8.6 (11.5)	11.0	10	3600	83	528	
	165	12.6 (16.9)	22.0	21	3600	83	528	
	165	17.3 (23.2)	31.0	30	3600	83	528	
1322 AP	200	12.6 (16.9)	13.0	12	3600	85	550	
	200	17.3 (23.2)	23.5	22.5	3600	85	550	
	200	21.3 (28.6)	31.0	30	3600	85	550	

Dimensions

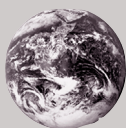


Dimensions	MM 1104 BP	MM 1144 BP	MM 1102 BP	MM 1142 BP
A	42 1/2	42 15/16	45 1/2	47 1/16



Dimensions	MM 1202 AP	MM 1252 AP	MM 1322 AP
A	49 1/4	53 3/8	53 15/16

All dimensions in inches unless otherwise noted.



Busch - all over the world in industry

ISO 9001-2000 Registered Company

Busch, Inc. 516 Viking Drive Virginia Beach, VA 23452  
 Phone (757) 463-7800 FAX (757) 463-7407

www.buschpump.com  
 1-800-USA-PUMP